



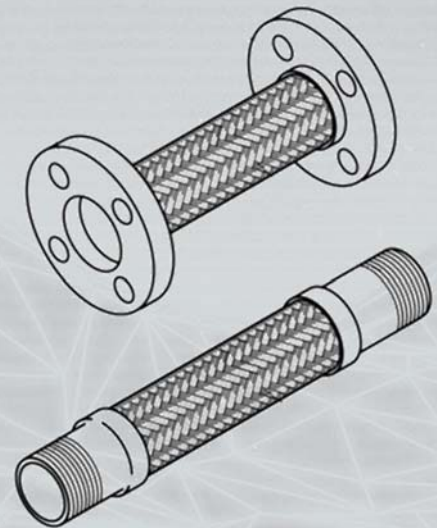
**S**tainless Steel Hose are used when because of temperature or some other reason a rubber hose will not handle the problem. Metallic flexible hoses reduce pipe wall propagated vibration and noise transmission, prevent pipe fatigue, simplify alignment problems and reduce equipment flange stress. Stainless steel connectors are used for virtually all ferrous applications and bronze materials are used for copper tubing systems.

**“MASON -MERCER”**

**Braided Stainless Steel Hose**

Stainless Steel Hose with the corrugated seamless hose body provides the flexibility and prevents leakage.

Corrugations are described as helical if they are continuous and similar to a screw thread, or annular if each corrugation is an individual ring. When these corrugations are closely spaced, the hose is described as “Close pitch”. If more widely spaced the designation is “Open pitch”.



**Features**

- A metallic hose offers more bend resistance as the pressure is increased and the term flexible means flexure without fatigue rather than easy flexure
- High working temperature at upto 250 °F and comparatively high pressure line applications
- Refrigerant pipe that connecting pipeline with reciprocating refrigerant compressors
- Water pipe across fire protected area that neoprene flexible connector is not suitable



**Applications**

- Braided hose for high pressure application